



MACKAY
AUTOMOTIVE

**UNIVERSAL
PRODUCTS**



CONTENTS

Z HOSE AND U HOSE	3-4
MACKAY FLEX	5
UNVERSAL HOSE BENDS	6-8
BULK STRAIGHT HOSE	9-15
BLANKING CAPS	16
INLINE FILTER AND LINK RODS	17
HOSE CLAMPS	18
HOSE REDUCERS	19
HOSE SPRING AND HEATER TAPS	20
HOSE STORAGE SOLTUIONS	23
PVC HOSE	24



Automotive - OE and Aftermarket

As a pioneering company in the automotive industry, Mackay has over eight decades of expertise in developing high quality original equipment (O.E.) and aftermarket products across a wide range of applications for major global vehicle manufacturers. Mackay automotive products are renowned throughout the industry for uncompromising quality and dependability.

In aftermarket we have an extensive product portfolio, covering worldwide vehicle applications, including a comprehensive off-the-shelf range to suit Australian, European, Japanese, Korean, and North American vehicles. A pro-active and continuous new product development program ensures that all customers are kept a step ahead with new applications.

Mackay also develops, custom-manufactures and offers private branding of products to suit customer or market specific requirements with relatively low minimum quantities. Products are manufactured without compromise using the same high standards that apply to the OE market.



UNIVERSAL "Z" HOSE™ BENDS

Universal Applications for **Water Coolant**, **Low- Pressure Fuel & Oil** and EFV & PCV
 Covers majority of small-bore market, Reduced Inventory.
 Mackay Universal Small Bore "Z" hose™ bends, are specially designed to provide the largest small-bore application coverage from a few part numbers.
 Mackay Z Bend hoses are Flexible through a wide range of angles and planes, however

Warning: Do not bend hose to the point of kinking as this can cause premature failure.

Coolant Hose ZHB##

Suitable for plain water and automotive coolant applications.
 Designed for long service life with resistance to heat, ozone and electrochemical degradation.
 6mm to 19mm ID Exceed Heater Hose Specification SAE J20R3 Type EC Class D-1 and D-2
 25mm ID Exceed Radiator Hose specification SAE J20R4 Type EC Class D-1 and Class D-2
CAUTION : DO NOT USE FOR: fuel, oil or brake fluid applications.

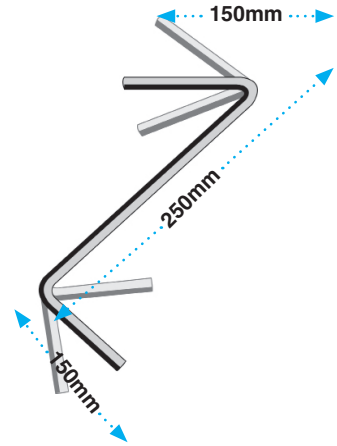
Low-Pressure Fuel & Oil Hose ZHB##F

Suitable for low pressure applications and compatible with leaded and unleaded petrol, ethanol blended fuels up to E85, diesel, lubricating oil as well as crankcase and fuel vapour applications. Exceeds Fuel Hose Specifications SAE J30R6

CAUTION : DO NOT USE FOR: fuel injection feed, common rail diesel feed, transmission cooler, in-tank fuel submersion, marine applications, methanol, biodiesel, coolant or brake fluid applications.

Suitable for emissions control, fuel vapour and vacuum applications, with resistance to the fuel and oil vapour found in PCV systems.

CAUTION : DO NOT USE FOR: fuel and oil transfer, coolant or brake fluid applications.



Flexible through a wide range of angles and planes.
 Designed to give maximum application coverage.

however do not kink hose as this can cause premature failure

UNIVERSAL "Z" HOSE™ BENDS

Application & Specification	Part No.	Nominal		Maximum Working Pressure		SAE Burst Pressure Requirement		Working Temperature Range	
		ID		psi	MPa	psi	MPa	Min	Max
		mm	In.						
Coolant SAE 20R3	ZHB6	6	¼	62	0.43	249	1.72	-40°C	+125°C
	ZHB8	8	5/16	62	0.43	249	1.72	-40°C	+125°C
	ZHB10	10	3/8	62	0.43	249	1.72	-40°C	+125°C
	ZHB12	12	15/32	62	0.43	249	1.72	-40°C	+125°C
	ZHB15	16	5/8	62	0.43	249	1.72	-40°C	+125°C
	ZHB19	19	¾	51	0.35	200	1.38	-40°C	+125°C
Coolant SAE 20R4	ZHB25	25	1	35	0.24	141	0.97	-40°C	+125°C
Low-Pressure Fuel & Oil Hose SAE 30R6	ZHB6F	6	¼	50	0.34	250	1.72	-34°C	+100°C
	ZHB8F	8	5/16	50	0.34	250	1.72	-34°C	+100°C
	ZHB10F	10	3/8	50	0.34	250	1.72	-34°C	+100°C
	ZHB12F	12	½	35	0.24	175	1.20	-34°C	+100°C
	ZHB16F	16	5/8	35	0.24	175	1.20	-34°C	+100°C
	ZHB19F	19	¾	35	0.24	175	1.20	-34°C	+100°C
	ZHB25F	25	1	5	0.24	175	1.20	34°C	+100°C
Emission Control, Fuel Vapour & PCV	ZHB6EFV	6	¼	Vacuum / Vent Hose				-34°C	+100°C
	ZHB8EFV	8	5/16	Vacuum / Vent Hose				-34°C	+100°C
	ZHB10EFV	10	3/8	Vacuum / Vent Hose				-34°C	+100°C
	ZHB12EFV	12	15/32	Vacuum / Vent Hose				-34°C	+100°C

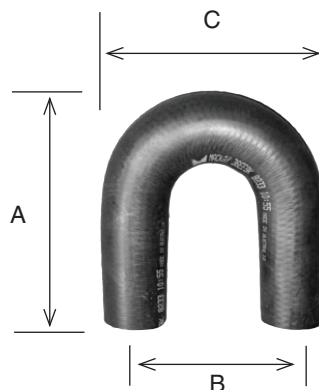
“Z” HOSE™ TRADE PACKS

The revolutionary Mackay “Z” hoses™ are now available in a two popular TRADE PACKS, Part Number ZBAG1 and ZBAG2. The ZBAG1 consists of one each of the top 5 “Z” water hoses and is especially suited as an introductory or replenishment stock pack for workshops. The ZBAG2 contains the additional larger ID 19mm and 25mm hoses.

Z” Hose Trade Pack - 6mm to 15mm ID - Part Number ZBAG1				
Application	Part No.	ID mm	ID Inches	QTY In Pack
Coolant SAE 20R3	ZHB6	6mm	1/4”	1
	ZHB8	8mm	5/16”	1
	ZHB10	10mm	3/8”	1
	ZHB12	12mm	15/32”	1
	ZHB15	16mm	5/8”	1
Z” Hose Trade Pack - 6mm to 25mm ID - Part Number ZBAG2				
Application	Part No.	ID mm	ID Inches	QTY In Pack
Coolant SAE 20R3	ZHB6	6mm	1/4”	1
	ZHB8	8mm	5/16”	1
	ZHB10	10mm	3/8”	1
	ZHB12	12mm	15/32”	1
	ZHB15	16mm	5/8”	1
	ZHB19	19mm	3/4”	1
Coolant SAE 20R4	ZHB25	25mm	1”	1



U SHAPED - COOLANT HOSE									
Part No.	ID		Centerline Arm Length	Centerline Width	Total Width	Maximum Working Pressure		SAE Burst Pressure Requireme	
			A	B	C				
	mm	In.	mm	mm	mm	psi	MPa	psi	MPa
USH16-19	16 - 19	5/8 - 3/4	62	80	107	62	0.43	249	1.72
USH25	25	1	140	106	130	35	0.24	141	0.97
USH38	38	1 1/2	145	110	156	30	0.21	120	0.83



MackayFlex™ is a flexible water hose (Not suitable for oil, fuel applications) designed to suit universal Automotive and Industrial applications.

MackayFlex™ hoses can bend and flex in almost any direction and is an ideal replacement for unusual / emergency applications or permanent use. Made from quality EPDM rubber, with textile reinforcement and rubber encapsulated steel inner spring construction.

Suitable for Water Applications

Working Temperature: -40 degrees C To +125 degrees C.

Burst Pressure: According to SAEJ20R5 standards

Part Number Identification system:

eg. Single ID

25254F = 25mm ID X 254mm Length

Dual ID

3844558F = 38mm ID on one end, 44mm ID other end x 558mm Length.



MACKAYFLEX™ Single ID

MackayFlex#	ID (mm)	Length (mm) (+20 -0 mm)
25254F	25	254
25406F*	25	406
25508F	25	508
25609F	25	609
32304F*	32	304
32406F*	32	406
32508F*	32	508
32609F	32	609
35406F	35	406
38355F*	38	355
38406F*	38	406
38457F*	38	457
38508F*	38	508
44355F*	44	355
44406F*	44	406
44457F*	44	457
44609F	44	609
51203F	51	203
51355F*	51	355
51406F*	51	406
51460f	51	460
51609F	51	609
57254F	57	254
57355F*	57	355
57457F*	57	457
57558F	57	558
57660F	57	660
57920F	57	920
63254F	63	254
63355F*	63	355
63457F	63	457
70254F	70	254
70355F*	70	355
70457F	70	457
70558F	70	558
76254F	76	254
76355F*	76	355
76457F	76	457
76558F	76	558

MACKAYFLEX™ Dual ID

MackayFlex #	ID 1 (mm)	ID 2 (mm)	Length (mm) (+20 /-0 mm)
3238304F	32	38	304
3238406F	32	38	406
3538304F	35	38	304
3538406F	35	38	406
3844355F	38	44	355
3844457F	38	44	457
3844558F	38	44	558
4451304F	44	51	304
4451406F	44	51	406
5157304F	51	57	304
5157406F	51	57	406
5763304F	57	63	304
5763406F	57	63	406
6370304F	63	70	304
6370406F	63	70	406
7076304F	70	76	304
7076406F	70	76	406

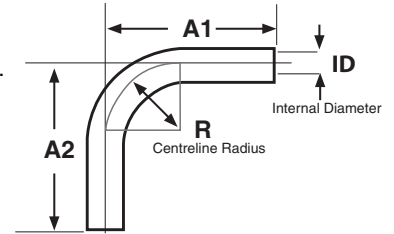
UNIVERSAL HOSE BENDS

Mackay 45° & 90° Universal Hose Bends are available in two specifications, one is suitable for water applications and the other is suitable for **fuel and oil** applications.

45° & 90° UNIVERSAL HOSE BENDS - WATER

The 45° & 90° moulded water hoses are suitable for plain water and automotive coolant applications. Manufactured using an electrochemical degradation (ECD) resistant EPDM rubber tube, lock-stitch knitted Rayon fibre reinforcement, with an EPDM rubber cover for heat and ozone resistance.

Sizes 8mm to 19mm ID Exceed Heater Hose Specification SAE J20R3 Type EC Class D-1 and D-2
 Sizes 25mm to 63mm ID Exceed Radiator Hose specification SAE J20R4 Type EC Class D-1 and Class D-2



Working Temperature Range: -40°C to 125°C (-40°F to 257°F)

CAUTION: Not suitable for fuel, oil transfer or brake fluid applications.

45° UNIVERSAL HOSE BENDS - WATER

ID mm	ID Inches	Part No.	Arm 1 Centerline Length A1	Arm 2 Centerline Length A2	Maximum Working Pressure		SAE 20R4 Minimum Burst Pressure	
25mm	1"	UHB25-300/45	300mm	300mm	0.24 MPa	35 psi	0.97 MPa	141 psi
31mm	1 ¼"	UHB31-300/45	300mm	300mm	0.23 MPa	33 psi	0.90 MPa	131 psi
38mm	1 ½"	UHB38-300/45	300mm	300mm	0.21 MPa	30 psi	0.83 MPa	120 psi
44mm	1 ¾"	UHB44-300/45	300mm	300mm	0.19 MPa	28 psi	0.76 MPa	110 psi
50mm	2"	UHB50-300/45	300mm	300mm	0.17 MPa	25 psi	0.69 MPa	100 psi
57mm	2 ¼"	UHB57-300/45	300mm	300mm	0.16 MPa	22 psi	0.62 MPa	90 psi
63mm	2 ½"	UHB63-300/45	300mm	300mm	0.14 MPa	20 psi	0.55 MPa	80 psi

90° UNIVERSAL HOSE BENDS - WATER

ID mm	ID Inches	Part No.	Arm 1 Centerline Length A1	Arm 2 Centerline Length A2	Centreline Radius R	Maximum Working Pressure		SAE 20R3/R4 Minimum Burst Pressure	
8mm	5/16"	UHB8-300	300mm	300mm	50mm	0.43 MPa	62 psi	1.72 MPa	249 psi
		UHB8-300X500	300mm	500mm					
10mm	3/8"	UHB10-300	300mm	300mm	50mm	0.43 MPa	62 psi	1.72 MPa	249 psi
		UHB10-300X500	300mm	500mm					
13mm	½"	UHB13	105mm	105mm	50mm	0.43 MPa	62 psi	1.72 MPa	249 psi
		UHB13-300	300mm	300mm					
16mm	5/8"	UHB16	105mm	105mm	50mm	0.43 MPa	62 psi	1.72 MPa	249 psi
		UHB16-300	300mm	300mm					
19mm	¾"	UHB19	105mm	105mm	50mm	0.35 MPa	51 psi	1.38 MPa	200 psi
		UHB19-300	300mm	300mm					
25mm	1"	UHB25	105mm	105mm	50mm	0.24 MPa	35 psi	0.97 MPa	141 psi
		UHB25-300	300mm	300mm					
31mm	1 ¼"	UHB31	120mm	120mm	60mm	0.23 MPa	33 psi	0.90 MPa	131 psi
		UHB31-300	300mm	300mm					
38mm	1 ½"	UHB38	120mm	120mm	60mm	0.21 MPa	30 psi	0.83 MPa	120 psi
		UHB38-300	300mm	300mm					
44mm	1 ¾"	UHB44	140mm	140mm	70mm	0.19 MPa	28 psi	0.76 MPa	110 psi
		UHB44-300	300mm	300mm					
50mm	2"	UHB50	140mm	140mm	70mm	0.17 MPa	25 psi	0.69 MPa	100 psi
		UHB50-300	300mm	300mm					
57mm	2 ¼"	UHB57	170mm	170mm	85mm	0.16 MPa	22 psi	0.62 MPa	90 psi
		UHB57-300	300mm	300mm					
63mm	2 ½"	UHB63	170mm	170mm	95mm	0.14 MPa	20 psi	0.55 MPa	80 psi
		UHB63-300	300mm	300mm					

45° & 90° UNIVERSAL HOSE BENDS - FUEL & OIL

The 45° & 90° moulded Fuel & Oil hoses use two constructions depending on size.

Sizes 8mm to 19mm ID are suitable for low pressure fuel applications and are manufactured using a Nitrile (NBR) rubber tube, lock-stitch knitted Polyester fibre reinforcement, with an oil resistant Hypalon® (CSM) rubber outer cover for maximum heat and ozone protection.

Sizes 25mm to 63mm ID are suitable for fuel filler and turbo intercooler applications and are manufactured with an OE Grade Nitrile/PVC (NBR/PVC) blended rubber tube and cover for Fuel, Oil and ozone resistance, with a knitted high tensile strength

Para-Aramid fibre for maximum burst protection.

Both constructions are suitable for use with leaded and unleaded petrol, Ethanol blended fuels up to E85, Diesel & Biodiesel fuels, lubricating oil as well as crankcase and fuel vapour applications.

Exceeds Fuel Hose Specification SAE J30R6

Working Temperature Range -34°C to 100°C (-29°F to 212°F)



ATTENTION: Some sizes are non-stocked and made to order, minimum order quantities may apply.

CAUTION: This hose is not suitable for fuel injection, in-tank fuel submersion, coolant, brake fluid or marine applications.

45° UNIVERSAL HOSE BENDS - FUEL & OIL								
ID mm	ID Inches	Part No.	Arm 1 Centerline Length A1	Arm 2 Centerline Length A2	SAE 30R6 Maximum Working Pressure		SAE 30R6 Minimum Burst Pressure	
25mm	1"	UHB25-300/45N	300mm	300mm	0.24 Mpa	35 psi	1.20 Mpa	175 psi
31mm	1 ¼"	UHB31-300/45N	300mm	300mm	0.11 MPa	16 psi	0.55 MPa	80 psi
38mm	1 ½"	UHB38-300/45N	300mm	300mm				
44mm	1 ¾"	UHB44-300/45N	300mm	300mm				
50mm	2"	UHB50-300/45N	300mm	300mm				
57mm	2 ¼"	UHB57-300/45N	300mm	300mm				
63mm	2 ½"	UHB63-300/45N	300mm	300mm				

90° UNIVERSAL HOSE BENDS - FUEL & OIL									
ID mm	ID Inches	Part No.	Arm 1 Centerline Length A1	Arm 2 Centerline Length A2	Centreline Radius R	SAE 30R6 Maximum Working Pressure		SAE 30R6 Minimum Burst Pressure	
8mm	5/16"	UHB8-300N	300mm	300mm	50mm	0.34 MPa	50 psi	1.72 MPa	250 psi
10mm	3/8"	UHB10-300N	300mm	300mm	50mm				
13mm	½"	UHB13N	105mm	105mm	50mm	0.24 MPa	35 psi	1.20 MPa	175 psi
		UHB13-300N	300mm	300mm					
16mm	5/8"	UHB16N	105mm	105mm	50mm				
		UHB16-300N	300mm	300mm					
19mm	¾"	UHB19N	105mm	105mm	50mm				
		UHB19-300N	300mm	300mm					
25mm	1"	UHB25N	105mm	105mm	50mm				
		UHB25-300N	300mm	300mm					
31mm	1 ¼"	UHB31N	120mm	120mm	60mm	0.11 MPa	16 psi	0.55 MPa	80 psi
		UHB31-300N	300mm	300mm					
38mm	1 ½"	UHB38N	120mm	120mm	60mm				
		UHB38-300N	300mm	300mm					
44mm	1 ¾"	UHB44N	140mm	140mm	70mm				
		UHB44-300N	300mm	300mm					
50mm	2"	UHB50N	140mm	140mm	70mm				
		UHB50-300N	300mm	300mm					
57mm	2 ¼"	UHB57N	170mm	170mm	85mm				
		UHB57-300N	300mm	300mm					
63mm	2 ½"	UHB63N	170mm	170mm	95mm				
		UHB63-300N	300mm	300mm					

STRAIGHT HOSE

Mackay Universal Straight Hose is available in two specifications, one is suitable for water applications and the other is suitable for fuel and oil applications.

STRAIGHT HOSE – WATER

The straight moulded water hoses are suitable for use with plain water and automotive coolant applications.

Manufactured using an electrochemical degradation (ECD) resistant EPDM rubber tube, lock-stitch knitted Rayon fibre reinforcement, with an EPDM rubber cover for heat, abrasion and ozone resistance.

The 19mm ID size Exceeds Heater Hose Specification SAE J20R3 Type EC Class D-1 and D-2

Sizes 22mm to 63mm ID Exceeds Radiator Hose Specification SAE J20R4 Type EC Class D-1 and Class D-2

Working Temperature Range: -40°C to 125°C (-40°F to 257°F)

CAUTION: Not suitable for fuel, oil transfer or brake fluid applications.



STRAIGHT HOSE - WATER

ID mm	ID Inches	Part No.	Length	Maximum Working Pressure		SAE Burst Pressure Requirement	
19mm	¾"	SHW19	1m	0.35 MPa	51 psi	1.38 MPa	200 psi
22mm	⅞"	SHW22	1m	0.24 MPa	35 psi	0.97 MPa	141 psi
25mm	1"	SHW25	1m				
28mm	1 ⅛"	SHW28	1m	0.23 MPa	33 psi	0.90 MPa	131 psi
32mm	1 ¼"	SHW32	1m				
35mm	1 ⅜"	SHW35	1m	0.21 MPa	30 psi	0.83 MPa	120 psi
38mm	1 ½"	SHW38	1m				
41mm	1 ⅝"	SHW41	1m	0.19 MPa	28 psi	0.76 MPa	110 psi
44mm	1 ¾"	SHW44	1m				
48mm	1 ⅞"	SHW48	1m	0.17 MPa	25 psi	0.69 MPa	100 psi
51mm	2"	SHW51	1m				
54mm	2 ⅛"	SHW54	1m	0.16 MPa	22 psi	0.62 MPa	90 psi
57mm	2 ¼"	SHW57	1m				
63mm	2 ½"	SHW63	1m	0.14 MPa	20 psi	0.55 MPa	80 psi

STRAIGHT HOSE - FUEL & OIL

The straight moulded fuel and oil hoses are suitable for fuel filler, turbo intercooler and low pressure fuel applications with leaded and unleaded petrol, Ethanol blended fuels up to E85, Diesel, lubricating oil as well as crankcase and fuel vapour applications.

Manufactured using an OE developed Nitrile/PVC (NBR/PVC) blended rubber for the tube and cover chosen for its Fuel, Oil and ozone resistance, with a knitted high tensile strength Para-Aramid fibre reinforcement for maximum burst resistance. Exceeds Fuel Hose Specification SAE J30R6

Working Temperature Range -34°C to 100°C (-29°F to 212°F)

ATTENTION: Some sizes are non-stocked and made to order, minimum order quantities may apply.

CAUTION: Not suitable for coolant transfer, brake fluid or marine applications.

STRAIGHT HOSE - FUEL & OIL

ID mm	ID Inches	Part No.	Length	SAE ³⁰ R ⁶ Maximum Working Pressure		SAE ³⁰ R ⁶ Burst Pressure Requirement	
25mm	1"	SHF25	1m	0.24 Mpa	35 psi	1.20 Mpa	175 psi
28mm	1 ⅛"	SHF28	1m				
38mm	1 ½"	SHF38	1m	0.11 MPa	16 psi	0.55 MPa	80 psi
41mm	1 ⅝"	SHF41	1m				
51mm	2"	SHF51	1m	0.11 MPa	16 psi	0.55 MPa	80 psi
54mm	2 ⅛"	SHF54	1m				
57mm	2 ¼"	SHF57	1m	0.11 MPa	16 psi	0.55 MPa	80 psi
63mm	2 ½"	SHF63	1m				

HEATER HOSE - SAE J20R3

Application	Connecting heater systems and other components in the engine coolant circulating systems of ground vehicles
Compatible Fluid	Automotive coolants, corrosion Inhibitors, cooling water, water
Properties	Synthetic rubber tube resistant to water loss, electrochemical degradation and heat; Synthetic fibre reinforcement layer; Synthetic rubber cover with heat, abrasion and ozone resistance
SAE Specification	Heater Hose Specification SAE J20R3 Type EC Class D-1 and D-2, ECD resistance as defined by SAE J1684, Improved service D-1 rating for long service life
Temperature range	-40°C to 125°C (-40°F to 257°F)
Inner Tube	Ethylene Propylene Diene Monomer Rubber (EPDM)
Reinforcement	Spiral Polyester Fibre (PFY)
Outer Cover	Ethylene Propylene Diene Monomer Rubber (EPDM)

WARNING Not suitable for fuel, oil or brake fluid applications

Part No.	Nominal Dimensions			Length		Maximum Working Pressure		SAE J20R3				Packaging
	ID		OD					Minimum Burst Pressure		Vacuum Rating (>80% of OD @)		
	mm	In.	mm	m	ft.	psi	MPa	psi	MPa	kPa	In. Hg	
HH08X2	7.9	5/16	15	2	6.5	62	0.43	249	1.72	33.8	10	Plastic Bag
HH08X15	7.9	5/16	15	15.25	50	62	0.43	249	1.72	33.8	10	Box
HH10TWX2	9.5	3/8	16.1	2	6.5	62	0.43	249	1.72	33.8	10	Plastic Bag
HH10TWX20	9.5	3/8	16.1	20	65.6	62	0.43	249	1.72	33.8	10	Box
HH010X2	9.5	3/8	17.5	2	6.5	62	0.43	249	1.72	33.8	10	Plastic Bag
HH010X15	9.5	3/8	17.5	15.25	50	62	0.43	249	1.72	33.8	10	Box
HH013X2	12.7	1/2	20.7	2	6.5	62	0.43	249	1.72	33.8	10	Plastic Bag
HH013X15	12.7	1/2	20.7	15.25	50	62	0.43	249	1.72	33.8	10	Box
HH016X2	15.9	5/8	23.9	2	6.5	62	0.43	249	1.72	27.0	8	Plastic Bag
HH016X15	15.9	5/8	23.9	15.25	50	62	0.43	249	1.72	27.0	8	Box
HH019X2	19	3/4	27	2	6.5	51	0.35	200	1.38	23.6	7	Plastic Bag
HH019X15	19	3/4	27	15.25	50	51	0.35	200	1.38	23.6	7	Box



WINDSCREEN WASHER TUBING - SAE J1037

Application	Windscreen or headlight washer systems and vacuum applications
Compatible Fluid	Windscreen washer fluid, water, air
Properties	Synthetic rubber tube with heat and ozone resistance
SAE Specification	Windscreen Washer Tubing Specification SAE J1037
Temperature Range	-40°C to 125°C (-40°F to 257°F)
Non-Reinforced Tube	Ethylene Propylene Diene Monomer Rubber (EPDM)

WARNING

Not suitable for fuel, oil or brake fluid applications

Part No.	Nominal Dimensions			Length		Maximum Working Pressure		SAE J1037				Packaging
	ID		OD					Minimum Burst Pressure		Vacuum Rating (>70% of OD @)		
	mm	In.	mm	m	ft.	psi	MPa	psi	MPa	kPa	In.hg	
WT3.2X2	3.2	1/8	8.3	2	6.5	25	0.17	101	0.7	81	24	Plastic Bag
WT3.2X10	3.2	1/8	8.3	10	32.8	25	0.17	101	0.7	81	24	Small Box
WT4.8X2	4.8	3/16	7.6	2	6.5	25	0.17	101	0.7	81	24	Plastic Bag
WT4.8X10	4.8	3/16	7.6	10	32.8	25	0.17	101	0.7	81	24	Small Box
WT6.3X2	6.3	1/4	9.6	2	6.5	25	0.17	101	0.7	81	24	Plastic Bag
WT6.3X10	6.3	1/4	9.6	10	32.8	25	0.17	101	0.7	81	24	Small Box



RADIATOR OVERFLOW HOSE

Application	Radiator overflow, header tanks and vacuum applications
Compatible Fluid	Automotive coolants, corrosion inhibitors, cooling water, water
Properties	Synthetic rubber tube resistant to water loss, electrochemical degradation, ozone and heat
Specification	Mackay Overflow Hose Specification E594X
Temperature Range	-40°C to 125°C (-40°F to 257°F)
Non-Reinforced Tube	Ethylene Propylene Diene Monomer Rubber (EPDM)

WARNING Not suitable for fuel, oil or brake fluid applications

Part No.	Nominal Dimensions			Length		E594X						Packaging
	ID		OD			Maximum Working Pressure		Minimum Burst Pressure		Vacuum Rating (>70% of OD @)		
	mm	In.	mm	m	ft.	psi	MPa	psi	MPa	kPa	In.hg	
OFH08X2	7.9	5/16	13.1	2	6.5	25	0.17	101	0.7	81	24	Plastic Bag
OFH08X15	7.9	5/16	13.1	15.25	50	25	0.17	101	0.7	81	24	Box
OFH08X50	7.9	5/16	13.1	50	164	25	0.17	101	0.7	81	24	Box



EMISSIONS CONTROL, FUEL VAPOUR & VACUUM HOSE

Application	Suitable for emissions control, fuel vapour, vacuum applications and regulating turbo control valves
Compatible Fluid	Air, crankcase fumes and fuel vapour
Properties	Synthetic rubber tube resistant to vacuum collapse, fuel & oil vapour and ozone degradation
Specification	Mackay Specification H1111
Temperature Range	-34°C to 100°C (-29°F to 212°F)
Non-Reinforced Tube	Nitrile/PVC Rubber (NBR/PVC)

WARNING This hose is not suitable for fuel, oil, coolant, or brake fluid applications

Part No.	Nominal Dimensions			Length		H1111						Packaging
	ID		OD			Maximum Working Pressure		Minimum Burst Pressure		Vacuum Rating (>70% of OD @)		
	mm	In.	mm	m	ft.	psi	MPa	psi	MPa	kPa	In.hg	
EFV03X2	2.8	1/8	7.2	2	6.5	50	0.17	101	0.7	81	24	Plastic Bag
EFV03X15	2.8	1/8	7.2	15.25	50	50	0.17	101	0.7	81	24	Box
EFV04X2	4	5/32	8.4	2	6.5	50	0.17	101	0.7	81	24	Plastic Bag
EFV04X15	4	5/32	8.4	15.25	50	50	0.17	101	0.7	81	24	Box
EFV06X2	6.3	1/4	10.7	2	6.5	50	0.17	101	0.7	81	24	Plastic Bag
EFV06X15	6.3	1/4	10.7	15.25	50	50	0.17	101	0.7	81	24	Box



FUEL & OIL HOSE - SAE J30R7

Application	Suitable for low pressure fuel and oil liquid transfer or fuel and oil vapor emissions use on mobile or stationary engines
Compatible Fluid	Leaded and unleaded petrol, ethanol blended fuels (E10, E20, E85), diesel fuel, LPG vapour, lubricating oil, crankcase fumes and fuel vapour
Properties	Synthetic rubber tube resistant to fuel and oil; Synthetic fibre reinforcement layer; Synthetic rubber cover with oil, heat, abrasion and ozone resistance
SAE Specification	Low Pressure Fuel and Oil Hose Specification SAE J30R7
Temperature Range	-34°C to 125°C (-29°F to 257°F)
Permeation Rate/24h	550 gm/m ² maximum with ASTM Fuel C (50% Toluene & 50% isooctane) expect significantly higher permeation rates if fuel contains >5% oxygenates, i.e. ethanol, methanol, or MTBE
Inner Tube	Acrylonitrile Butadiene Rubber (NBR)
Reinforcement	Spiral Polyester Fibre (PFY)
Outer Cover	Chloroprene Rubber (CR)

WARNING

Not suitable for fuel injection, transmission cooler, in-tank fuel submersion, coolant transfer, brake fluid or marine applications

Part No.	Nominal Dimensions					SAE J30R7						Packaging
	ID		OD	Length		Maximum Working Pressure		Minimum Burst Pressure		Vacuum Rating (>80% of OD @)		
	mm	In.		m	ft.	psi	MPa	psi	MPa	kPa	In. Hg	
FH05X2	4.8	3/16	10.32	2	6.5	50	0.34	250	1.72	81	24	Plastic Bag
FH05X15	4.8	3/16	10.32	15.25	50	50	0.34	250	1.72	81	24	Box
FH06X2	6.3	1/4	12.70	2	6.5	50	0.34	250	1.72	81	24	Plastic Bag
FH06X15	6.3	1/4	12.70	15.25	50	50	0.34	250	1.72	81	24	Box
FH08X2	7.9	5/16	14.29	2	6.5	50	0.34	250	1.72	81	24	Plastic Bag
FH08X15	7.9	5/16	14.29	15.25	50	50	0.34	250	1.72	81	24	Box
FH010X2	9.5	3/8	15.88	2	6.5	50	0.34	250	1.72	81	24	Plastic Bag
FH010X15	9.5	3/8	15.88	15.25	50	50	0.34	250	1.72	81	24	Box
FH013X2	12.7	1/2	19.84	2	6.5	35	0.24	175	1.2	34	10	Plastic Bag
FH013X15	12.7	1/2	19.84	15.25	50	35	0.24	175	1.2	34	10	Box
FH016X2	15.9	5/8	23.81	2	6.5	35	0.24	175	1.2	34	10	Plastic Bag
FH016X15	15.9	5/8	23.81	15.25	50	35	0.24	175	1.2	34	10	Box
FH019X2	19	3/4	28.58	2	6.5	35	0.24	175	1.2	34	10	Plastic Bag
FH019X15	19	3/4	28.58	15.25	50	35	0.24	175	1.2	34	10	Box



FUEL INJECTION HOSE - SAE J30R9

Application	Suitable to meet the demands of electronic fuel injection (EFI) systems, electronic fuel metering (EFM), throttle body injection (TBI) used on mobile or stationary engines and applications requiring high fuel permeation resistance.
Compatible Fluid	Leaded and unleaded petrol, ethanol blended fuels (E10, E20, E85), diesel fuel, oxidized sour gas, LPG vapour, lubricating oil, crankcase fumes and fuel vapour
Properties	Synthetic rubber tube resistant to chemical attack, swelling, heat and permeation; Synthetic fibre reinforcement layer; Synthetic rubber cover with oil, heat, abrasion and ozone resistance
SAE Specification	Fuel Injection Hose Specification SAE J30R9
Temperature Range	-34°C to 135°C (-29°F to 275°F) and intermittent use at 150°C (302°F)
Permeation Rate/24h	200 gm/m ² maximum with ASTM Fuel C (50% Toluene & 50% isooctane) expect significantly higher permeation rates if fuel contains >5% oxygenates, i.e. ethanol, methanol, or MTBE
Inner Tube	Fluoroelastomer Rubber (FKM)
Intermediate Layer	Epichlorohydrin Rubber (ECO)
Reinforcement	Braided Para-Aramid Fibre (PPTA)
Outer Cover	Epichlorohydrin Rubber (ECO)

WARNING

Not suitable for Methanol levels >15%, biodiesel (B5, B10, B20), transmission cooler, in-tank fuel submersion, coolant transfer, brake fluid or marine applications

Part No.	Nominal Dimensions			Length		SAE J30R9						Packaging
	ID		OD			Maximum Working Pressure		Minimum Burst Pressure		Vacuum Rating (>80% of OD @)		
	mm	In.		mm	psi	MPa	psi	MPa	kPa	In.hg		
FIH06X1	6.3	1/4	12.7	1	3.2	100	0.69	900	6.2	81	24	Plastic Bag
FIH06X7.6	6.3	1/4	12.7	7.65	25	100	0.69	900	6.2	81	24	Box
FIH08X1	7.9	5/16	14.25	1	3.2	100	0.69	900	6.2	81	24	Plastic Bag
FIH08X7.6	7.9	5/16	14.25	7.65	25	100	0.69	900	6.2	81	24	Box



TRANSMISSION OIL COOLER - SAE J1532 & POWER STEERING RETURN HOSE - SAE

Application	Automatic transmission oil cooling (TOC) systems and power steering return (PSR) lines
Compatible Fluid	Automatic transmission and power steering fluids
Properties	Synthetic rubber oil resistant tube; Braided synthetic reinforcement layer for high Impulse resistance; Synthetic rubber cover with oil, heat, abrasion and ozone resistance
SAE Specification	Transmission Oil Cooler Hose Specification SAE J1532 Type A Class 1 & Power Steering Return Hose Specification SAE J189 (Type A impulse cycle rating for OE level service life)
Temperature Range	-40°C to 125°C (-40°F to 248°F) average and 135°C (275°F) maximum peaks
Inner Tube	Chlorinated Polyethylene Rubber (CPE)
Reinforcement	Braided Para-Aramid Fibre (PPTA)
Outer Cover	Chlorinated Polyethylene Rubber (CPE)

WARNING Not suitable for coolant, brake fluid or high pressure power steering line applications.

Part No.	Nominal Dimensions			Length		SAE J189		SAE J1532 Type A		J189 & J1532 Type A		SAE J1532		Packaging
	ID		OD			PSR Maximum Working Pressure		TOC Maximum Working Pressure		Minimum Burst pressure		Vacuum Rating (>75% of OD @)		
	mm	In.		m	ft.	psi	MPa	psi	MPa	psi	Mpa	KPa	In. Hg	
TPH08X2	7.9	5/16	15.1	2	6.5	100	0.69	250	1.72	1000	6.9	68	20	Plastic Bag
TPH08X10	7.9	5/16	15.1	10	32.8	100	0.69	250	1.72	1000	6.9	68	20	Box
TPH010X2	9.5	3/8	16.7	2	6.5	100	0.69	250	1.72	1000	6.9	68	20	Plastic Bag
TPH010X10	9.5	3/8	16.7	10	32.8	100	0.69	250	1.72	1000	6.9	68	20	Box

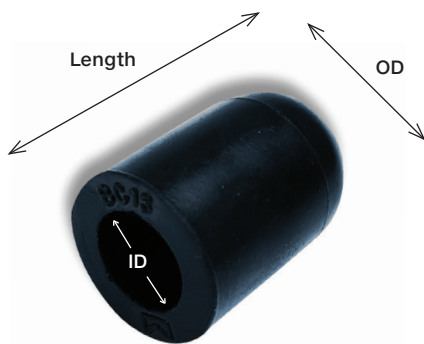


BLANKING CAPS

Application	Blocking off unnecessary ports of heater systems and other components in the engine coolant circulating systems of ground vehicles. Can also be used for vacuum applications where no oil or fuel vapour are present.
Compatible Fluid	Automotive coolants, corrosion Inhibitors, cooling water, water, air
Properties	Synthetic rubber with heat and ozone resistance
Temperature Range	-40°C to 125°C (-40°F to 257°F)
Material	Ethylene Propylene Diene Monomer Rubber (EPDM)

Warning Not suitable for fuel, oil or hydraulic applications

Part No.	Nominal Dimensions				Working Temperature Range		Application	Material
	ID		OD	Length	Min	Max		
	mm	In.	mm	mm				
BC10	10	3/8	17	29	-40°C	+125°C	Automotive Coolant Systems & Vacuum Applications	EPDM Rubber
BC13	13	1/2	21	32	-40°C	+125°C		
BC16	16	5/8	24	34	-40°C	+125°C		
BC19	19	3/4	28	37	-40°C	+125°C		



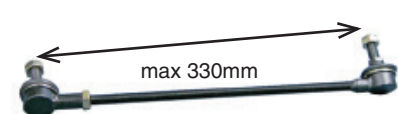

IN-LINE FILTER

SUITABLE FOR TRANSMISSION COOLER & POWER STEERING RETURN HOSE APPLICATIONS

Part number ILF1010 is an In-Line filter that can be installed on the return line of any hydraulic Power Steering system or Automatic Transmission Cooler Line. Its design features a two stage filtering system that uses a large magnet to attract and trap fine metal particulates and a traditional filter to trap large nonmetallic particles that can naturally occur in hydraulic systems. It also includes a Safety Bypass so the flow of fluid is never inhibited even in a fully contaminated system. It fits standard 9.5mm ID (3/8") Transmission Cooler & Power Steering return hose and comes with two hose clamps.



SWAP BAR LINK RODS

Part Number	Application	Year	
LR4275	Universal Medium Vehicles 10x330mm Rod, 10mm Ball Stud	All	
LR4276	Universal Large & 4WD Vehicles 10 x 330mm Rod, 12mm Ball Studs	All	

Perforated Band, Part Stainless Steel

- Superior design, single piece band providing reliable performance
- For use in automotive, farm machinery, industrial and general purpose applications
- Made from tough 301 Stainless Steel band & housing with zinc plated carbon steel screw
- Built to SAE J1508 Standard
- Hexagonal head slotted worm drive screw for easy fitting and superior sealing
- Conveniently sized in packs of 10 with part number and barcode on the label

*Parts sold each MOQ of 10 (10 pcs per box)



Part No	Description	MOQ	Bar Code
HC616	6-16mm	10	9313699038966
HC1120	11-20mm	10	9313699038973
HC1325	13-25mm	10	9313699038980
HC1427	14-27mm	10	9313699038997
HC1832	18-32mm	10	9313699039000
HC2138	21-38mm	10	9313699039017
HC2144	21-44mm	10	9313699039024
HC2751	27-51mm	10	9313699039031
HC3357	33-57mm	10	9313699039048
HC4064	40-64mm	10	9313699039055
HC4670	46-70mm	10	9313699039062
HC5276	52-76mm	10	9313699039079
HC5983	59-83mm	10	9313699039086
HC6589	65-89mm	10	9313699039093
HC7195	71-95mm	10	9313699039109
HC78102	78-102mm	10	9313699039116
HC90114	90-114mm	10	9313699039123
HC103127	103-127mm	10	9313699039130

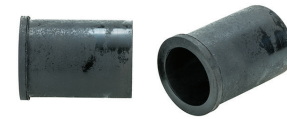


UNIVERSAL Hose ID Reducers

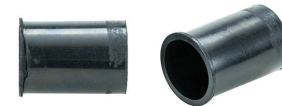
HR5038 WHOSE REDUCER (EPDM) WATER-AIR, 2"- 1 1/2" 50mm - 38mm Bar Code: 9313699038850



HR4435 HOSE REDUCER (EPDM) WATER-AIR, 1 3/4"- 1 3/8" 44mm - 35mm Bar Code: 9313699038867



HR3531 HOSE REDUCER (EPDM) WATER-AIR, 1 3/8"- 1 1/4" 35mm - 31mm Bar Code: 9313699038874



HR3831 HOSE REDUCER (EPDM) WATER-AIR, 1 1/2"- 1 1/4" 38mm - 31mm Bar Code: 9313699038881



HR4438 HOSE REDUCER (EPDM) WATER-AIR, 1 3/4"- 1 1/2" 44mm - 38mm Bar Code: 9313699038898

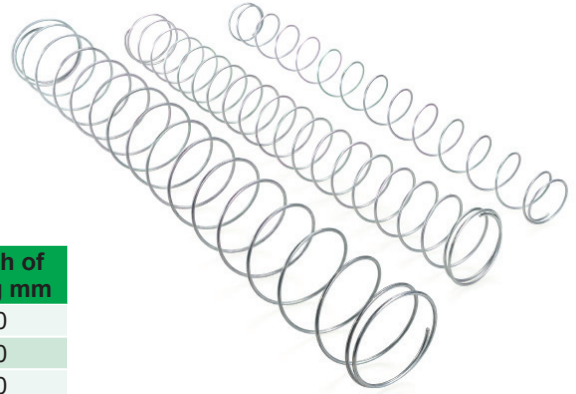


HR5044 HOSE REDUCER (EPDM) WATER-AIR, 2"- 1 3/4" 50mm - 44mm Bar Code: 9313699038904



UNIVERSAL HOSE SPRINGS

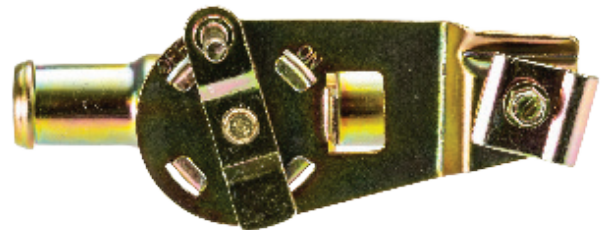
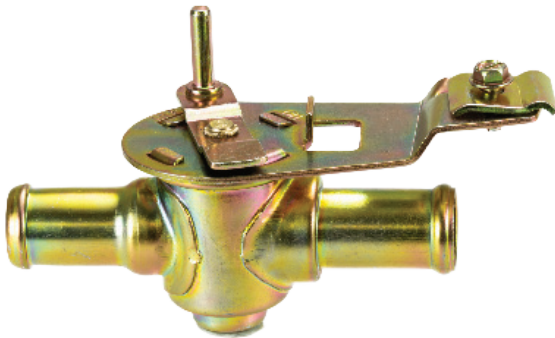
Galvanised springs for use in non- standard applications where the hose may be more susceptible to vacuum collapse.



Part No.	OD of Spring mm	Smallest ID Hose it Suits	Biggest ID Hose it Suits	Length of Spring mm
CHS5G	29	31	38	450
CHS53G	34	36	43	280
CHS55G	34	36	43	350
CHS56G	42	44	51	305
CHS42G	42/47 Bell	44/50 Bell	51/56 Bell	370
CHS35G	56	58	65	405

HEATER VALVE TAPS

Mackay Part Number HV4008M



16mm (5/8") Car Heater Tap Valve Universal Type.
Cable Operated Style Multi Fit Inline Tap

Suits: Universal Fitting, Hot Rods, Machinery
Pull On/Open - Push Off/Closed

Mackay Heater Valves are a premium grade product manufactured to meet or exceed OEM

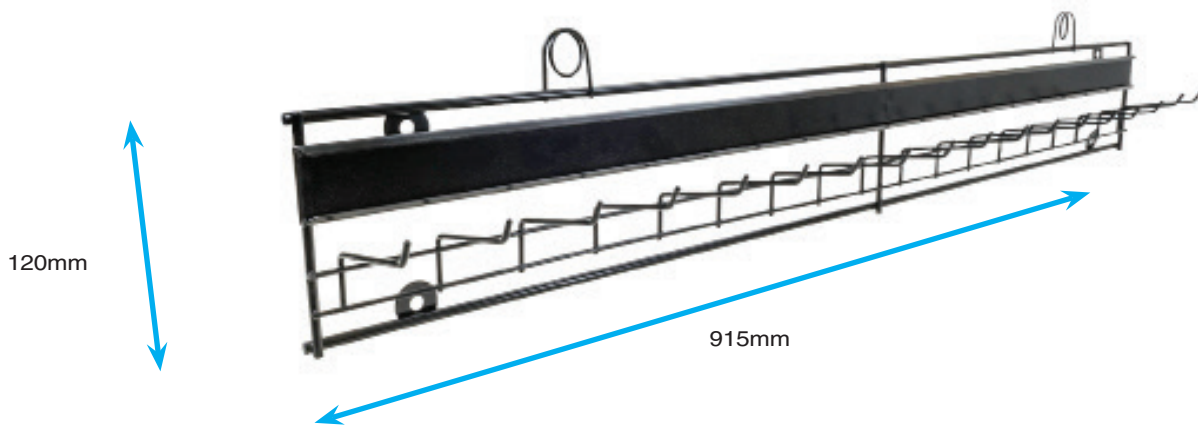
Mackay offer two hose merchandisers to assist customers to increase sales of Mackay hoses.

These merchandisers are designed to be used as a shop front display or to keep your entire hose range organised behind the counter.

All merchandisers utilise the unique Mackay "Hang Ups"™ plastic strap fitted to Mackay Hoses

HR1- WALL MOUNTED MERCHANDISER

Part No. HR1 Contains 1 x 18 hook rack

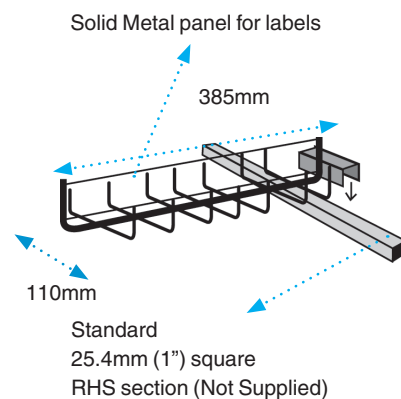


SOLVE YOUR HOSE STORAGE PROBLEMS

MACKAY HOSE RACK - HR3

The Mackay HR3 rack now solves the problem of hose storage and organisation using a minimum of space. The HR3 rack is ideal for distributors, retailers and trade users and can be adopted for both behind the counter bulk storage requirements and shop front display purposes.

Each HR3 metal rack can hold 14 different Mackay hoses, the racks simply slide on to a standard 25.4 mm (1" inch) square tube giving you total flexibility, you can install them anywhere, a back wall, inside a parts bin or incorporate it into your shop front display. You can space them out by simply sliding them along to suit your space needs. There is now no excuse for lost sales, keep the extensive range of Mackay hoses at hand and organised and stay ahead of your competitors.



Mackay PVC Hose is constructed using an Ozone and UV resistant Polyvinyl Chloride (PVC) and reinforced for high pressure transfer of Air and Water. Mackay PVC Hose can also be used for short term low pressure transfer of Fuel and Oil.

HOSE SPECIFICATIONS:

- Maximum Recommended Working Pressure for Air and Water: 101psi (0.7MPa)
- Minimum Burst Pressure for Air and Water: 406psi (2.8MPa)
- Working Temperature Range: -10°C to +60°C

APPLICATIONS:

- Transfer of Air.
- Transfer of Water.
- Short term low pressure transfer of Fuel and Oil, such as carbureted lawn mowers.

Caution

- NOT SUITABLE FOR DRINKING WATER.
- NOT SUITABLE FOR LONG TERM CONTACT WITH FUEL OR OIL, OR SUBMERSION IN THESE LIQUIDS AS THE HOSE WILL GO BRITTLE.
- NOT SUITABLE FOR HIGH PRESSURE FUEL APPLICATIONS.
- NOT SUITABLE FOR FUEL TRANSFER IN ENCLOSED SPACES.
- NOT SUITABLE FOR MARINE FUEL APPLICATIONS.

ID mm	ID Inches	Part No.	Length	Packaging
8mm	5/16"	PVC8X20	20m	Small Box
10mm	3/8"	PVC10X20	20m	Small Box
13mm	1/2"	PVC13X20	20m	Large Box
16mm	5/8"	PVC16X10	10m	Large Box
19mm	3/4"	PVC19X10	10m	Large Box





Mackay Consolidated Industries Pty. Ltd.
894 Taylors Road, Dandenong South 3175 Victoria Australia
☎ 1300 020 374
✉ orders@mackayrubber.com.au
🌐 www.mackayrubber.com.au

▲ AUTOMOTIVE ▲ DEFENCE ▲ INDUSTRIAL ▲ RAIL ▲ TECHNICAL

FORWARD THINKING